

ST. JOHNS RIVER STATE COLLEGE

CHILLER REPLACEMENT PROJECT, ST AUGUSTINE CAMPUS

2990 COLLEGE DRIVE, ST. AUGUSTINE, FL 32084

PROJECT LOCATION



CHILLER PLANT
2990 COLLEGE DRIVE
ST. AUGUSTINE, FL 32084



INDEX OF DRAWINGS

T001	COVER SHEET
MECHANICAL	
M001	MECHANICAL SYMBOLS & SPECIFICATIONS
M002	MECHANICAL GENERAL NOTES
MD201	MECHANICAL DEMOLITION FLOOR PLAN
M201	MECHANICAL FLOOR PLAN
M301	MECHANICAL SECTION VIEWS
M401	MECHANICAL ISOMETRIC VIEW
M601	MECHANICAL CONTROLS DRAWINGS
M602	MECHANICAL SEQUENCE OF OPERATIONS
M701	MECHANICAL SCHEDULES
M801	MECHANICAL DETAILS
ELECTRICAL	
E001	ELECTRICAL SYMBOLS AND SPECIFICATIONS
ED301	ELECTRICAL DEMOLITION POWER AND LIGHTNING PROTECTION PLANS
E301	ELECTRICAL POWER AND LIGHTNING PROTECTION PLANS
E701	ELECTRICAL PANEL SCHEDULES
STRUCTURAL	
S001	STRUCTURAL NOTES
S201	GROUND FLOOR PLAN
S301	STRUCTURAL DETAILS

PROJECT ENGINEER PROJECT MANAGER

SGM Engineering Inc.
935 LAKE BALDWIN LN,
ORLANDO, FL 32814
TELEPHONE: 407-787-5188

TOM REYNOLDS
CAPITAL CONSTRUCTION
PROJECT COORDINATOR
283 COLLEGE DR.
ORANGE PARK, FL. 32065
TELEPHONE: 904-276-6763

ST. JOHNS RIVER STATE COLLEGE PRESIDENT
JOE H. PICKENS, J.D

SGM PROJECT MANAGER

CHAD ROBINSON, PE
ASSISTANT MECHANICAL
DEPARTMENT MANAGER
SGM Engineering Inc.
935 LAKE BALDWIN LN,
ORLANDO, FL 32814
TELEPHONE: 407-787-5188
CHAD@SGMENGINEERING.COM

BOARD OF TRUSTEES

CHAIRMAN	RICH KOMANDO
VICE CHAIRPERSON	JAN CONRAD
TRUSTEE	MAKAYLA BUNCHANAN
TRUSTEE	WENDELL D. DAVIS
TRUSTEE	JAMES REID
TRUSTEE	JUD SAPP



ST. JOHNS RIVER
STATE COLLEGE



ST. JOHNS RIVER STATE COLLEGE
ORANGE PARK, FL 32065



No.	Date	Description

CHILLER REPLACEMENT PROJECT, ST AUGUSTINE CAMPUS

Drawing Title: CHILLER REPLACEMENT PROJECT, ST AUGUSTINE CAMPUS	Project Number: 283-24
Drawn By: CHAD	Checked By: CHAD
Drawn By: CHAD	Checked By: CHAD
Drawn By: CHAD	Checked By: CHAD
Drawn By: CHAD	Checked By: CHAD
Drawn By: CHAD	Checked By: CHAD
Drawn By: CHAD	Checked By: CHAD
Drawn By: CHAD	Checked By: CHAD

COVER SHEET

T001



No.	Date	Description

Project Name:
CHILLER REPLACEMENT PROJECT, ST AUGUSTINE CAMPUS

Drawing Title: **MECHANICAL SYMBOLS & SPECIFICATIONS**

Project Number: **2023-24**

Scale: **AS SHOWN**

Sheet: **03-MECH**

Author: **JLB**

Checked: **SK**

Approved: **SK**

Date: **11/15/23**

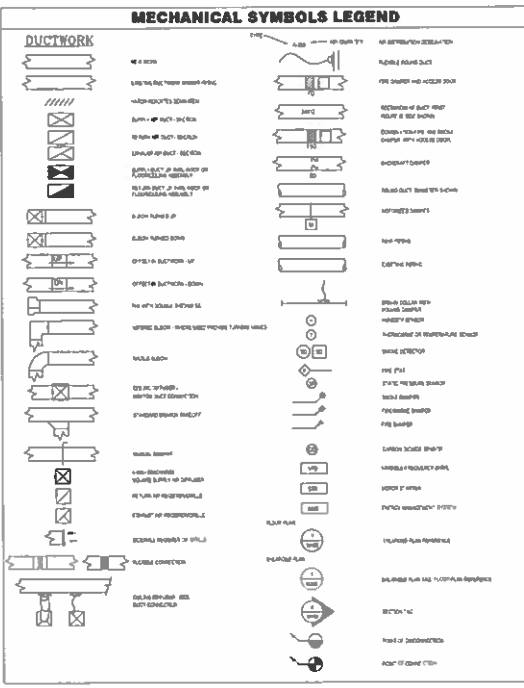
MECHANICAL SYMBOLS & SPECIFICATIONS

Sheet Number:
M001

	AIR CONDITIONING SYSTEM
	HEATING SYSTEM
	COOLING SYSTEM
	REFRIGERANT LINE
	WATER LINE
	STEAM LINE
	GAS LINE
	OIL LINE
	FUEL LINE
	DRAINAGE SYSTEM
	SEWERAGE SYSTEM
	VENT STACK
	EXHAUST STACK
	STORM DRAIN
	FLOODED REFRIGERANT LINE
	RETURN OIL LINE
	FUEL OIL LINE
	GAS PIPING
	AIR PIPING
	WATER PIPING
	STEAM PIPING
	OIL PIPING
	FUEL PIPING
	DRAINAGE PIPING
	SEWERAGE PIPING
	VENT STACK PIPING
	EXHAUST STACK PIPING
	STORM DRAIN PIPING

AC	AIR CONDITIONING
AD	AIR DUCT
AP	AIR PUMP
AS	AIR SUPPLY
AW	AIR WATER
BA	BOILER
BC	BUILDING CONTROLS
BD	BUILDING DUCT
BE	BUILDING EXHAUST
BF	BUILDING FAN
BG	BUILDING GAS
BH	BUILDING HEATING
BI	BUILDING INSULATION
BJ	BUILDING JUNCTION
BK	BUILDING KITCHEN
BL	BUILDING LIGHT
BM	BUILDING MECHANICAL
BN	BUILDING NETWORK
BO	BUILDING OPERATIONAL
BP	BUILDING PUMP
BQ	BUILDING QUANTITY
BR	BUILDING REFRIGERANT
BS	BUILDING SEWER
BT	BUILDING TOWER
BV	BUILDING VENT
BW	BUILDING WATER
BY	BUILDING YIELD
BZ	BUILDING ZONE
CA	CHEMICAL ANALYSIS
CB	CHEMICAL BEHAVIOR
CC	CHEMICAL CHARACTERISTICS
CD	CHEMICAL COMPOSITION
CE	CHEMICAL EFFECT
CF	CHEMICAL FORMULA
CG	CHEMICAL GROUP
CH	CHEMICAL IDENTIFICATION
CI	CHEMICAL INFORMATION
CJ	CHEMICAL INSTRUCTIONS
CK	CHEMICAL MATERIALS
CL	CHEMICAL METHODS
CM	CHEMICAL MODELS
CN	CHEMICAL NOTATION
CO	CHEMICAL OXYGEN
CP	CHEMICAL PROPERTIES
CQ	CHEMICAL QUANTITIES
CR	CHEMICAL REACTIONS
CS	CHEMICAL SERVICES
CT	CHEMICAL TESTS
CU	CHEMICAL TYPES
CV	CHEMICAL USES
CW	CHEMICAL WEIGHTS
CX	CHEMICAL YIELDS
CY	CHEMICAL ZONES
CZ	CHEMICAL ZONES
DA	DAMAGE ASSESSMENT
DB	DAMAGE ANALYSIS
DC	DAMAGE CHARACTERISTICS
DD	DAMAGE COMPARISON
DE	DAMAGE EVALUATION
DF	DAMAGE IDENTIFICATION
DG	DAMAGE INVESTIGATION
DH	DAMAGE MITIGATION
DI	DAMAGE PREVENTION
DJ	DAMAGE REPAIR
DK	DAMAGE REPAIR COSTS
DL	DAMAGE REPAIR METHODS
DM	DAMAGE REPAIR PROCEDURES
DN	DAMAGE REPAIR RESULTS
DO	DAMAGE REPAIR SCHEDULE
DP	DAMAGE REPAIR TYPES
DQ	DAMAGE REPAIR YIELDS
DR	DAMAGE REPAIR ZONES
DS	DAMAGE REPAIR ZONES
DT	DAMAGE REPAIR ZONES
DU	DAMAGE REPAIR ZONES
DV	DAMAGE REPAIR ZONES
DW	DAMAGE REPAIR ZONES
DX	DAMAGE REPAIR ZONES
DY	DAMAGE REPAIR ZONES
DZ	DAMAGE REPAIR ZONES

NO.	DESCRIPTION	UNITS	VALUES
1	DESIGN WIND SPEED	MPH	100
2	DESIGN WIND DIRECTION	DEG	0
3	DESIGN WIND PERIOD	YRS	10
4	DESIGN WIND PROBABILITY	%	100
5	DESIGN WIND REPEAT PERIOD	YRS	10
6	DESIGN WIND RETURN PERIOD	YRS	10
7	DESIGN WIND RISK PERCENTAGE	%	10
8	DESIGN WIND RISK PERCENTAGE PER YEAR	%/YR	10
9	DESIGN WIND RISK PERCENTAGE PER YEAR PER FOOT	%/YR/FT	10
10	DESIGN WIND RISK PERCENTAGE PER YEAR PER SQUARE FOOT	%/YR/SQ FT	10
11	DESIGN WIND RISK PERCENTAGE PER YEAR PER SQUARE FOOT PER SQUARE FOOT	%/YR/SQ FT/SQ FT	10



- MECHANICAL SCOPE OF WORK:**
- DEMOLISH TWO EXISTING 120-TON CHILLERS. CONCRETE PAD WILL REMAIN FOR ONE CHILLER AND IT WILL BE EXTENDED TO FIT THE NEW CHILLER INSTALLATION.
 - DEMOLISH THE CONDENSATE WATER PUMPS ASSOCIATED WITH THE COOLING TOWER AND THE CHILLERS THAT ARE BEING DEMOLISHED. DEMOLISH THE EXISTING COOLING TOWER SERVING THE TWO CHILLERS THAT ARE BEING DEMOLISHED.
 - DEMOLISH THE PRIMARY CHILLED WATER PUMP (PUMP) AND PUMP.
 - PROVIDE A NEW 240-TON CHILLER WITH ALL ASSOCIATED COMPONENTS. REFER TO MECHANICAL DRAWINGS FOR MORE INFORMATION.
 - PROVIDE NEW CHILLED PRIMARY WATER PUMP. REFER TO MECHANICAL DRAWINGS FOR MORE INFORMATION.
 - PROVIDE A NEW COOLING TOWER. REFER TO MECHANICAL DRAWINGS FOR MORE INFORMATION.

ALL RIGHTS RESERVED © 2023 BY SGM ENGINEERING. ALL RIGHTS RESERVED. NO PART OF THIS DOCUMENT IS TO BE REPRODUCED OR TRANSMITTED IN ANY FORM OR BY ANY MEANS, ELECTRONIC OR MECHANICAL, INCLUDING PHOTOCOPYING, RECORDING, OR BY ANY INFORMATION STORAGE AND RETRIEVAL SYSTEM, WITHOUT PERMISSION IN WRITING FROM SGM ENGINEERING.

**SGM
ENGINEERING**

1000 University Blvd
Orange Park, FL 32065
352-207-1111
www.sgmeng.com
Professional Engineering, Inc.
FLS 0001353

ST. JOHNS RIVER STATE
COLLEGE
ORANGE PARK, FL 32065



Date: 11-12-11 1008 09/1

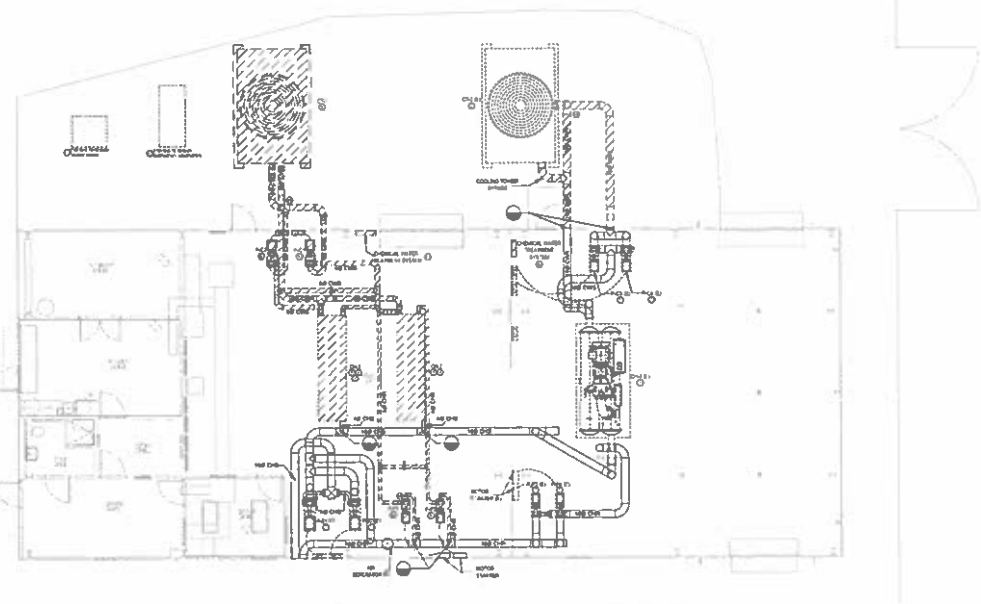
No.	Date	Description

Project Name:
**CHILLER REPLACEMENT
PROJECT, ST AUGUSTINE
CAMPUS**

Drawing File Name: 1100-0001-20110111.dwg	Project Number: 2011-011
Scale: AS SHOWN	Drawn By: JH
Checked By: JH	Project Manager: CHRIS A. GIBSON
Professional Engineer: JH FL No. 02465	License Number: 63365

Sheet Name:
**MECHANICAL
DEMOLITION FLOOR
PLANS**

Sheet Number:
MD201



GENERAL NOTES:

- VERIFY ALL EXISTING AND DEMO ROOM MECHANICAL CONTRACTS AND DEMO 1-10-11
- VERIFY ALL EXISTING MECHANICAL CONTRACTS AND DEMO 1-10-11
- VERIFY ALL EXISTING MECHANICAL CONTRACTS AND DEMO 1-10-11
- VERIFY ALL EXISTING MECHANICAL CONTRACTS AND DEMO 1-10-11
- VERIFY ALL EXISTING MECHANICAL CONTRACTS AND DEMO 1-10-11
- VERIFY ALL EXISTING MECHANICAL CONTRACTS AND DEMO 1-10-11
- VERIFY ALL EXISTING MECHANICAL CONTRACTS AND DEMO 1-10-11
- VERIFY ALL EXISTING MECHANICAL CONTRACTS AND DEMO 1-10-11
- VERIFY ALL EXISTING MECHANICAL CONTRACTS AND DEMO 1-10-11
- VERIFY ALL EXISTING MECHANICAL CONTRACTS AND DEMO 1-10-11

PLAN KEY NOTES:

- REMOVE ALL EXISTING MECHANICAL CONTRACTS AND DEMO 1-10-11
- REMOVE ALL EXISTING MECHANICAL CONTRACTS AND DEMO 1-10-11
- REMOVE ALL EXISTING MECHANICAL CONTRACTS AND DEMO 1-10-11
- REMOVE ALL EXISTING MECHANICAL CONTRACTS AND DEMO 1-10-11
- REMOVE ALL EXISTING MECHANICAL CONTRACTS AND DEMO 1-10-11
- REMOVE ALL EXISTING MECHANICAL CONTRACTS AND DEMO 1-10-11
- REMOVE ALL EXISTING MECHANICAL CONTRACTS AND DEMO 1-10-11
- REMOVE ALL EXISTING MECHANICAL CONTRACTS AND DEMO 1-10-11
- REMOVE ALL EXISTING MECHANICAL CONTRACTS AND DEMO 1-10-11
- REMOVE ALL EXISTING MECHANICAL CONTRACTS AND DEMO 1-10-11

MECHANICAL DEMOLITION FLOOR PLANS
SCALE: 1/4" = 1'-0"



Date: 11-21-19 Project: CHS

No.	Date	Description

Project Name
CHILLER REPLACEMENT PROJECT, ST AUGUSTINE CAMPUS

Drawing File Name: 1908 CHS - 11/21/19	Project Number: 1908-10
Scale: 1/4" = 1'-0"	Date: 11/21/19
Sheet No: 114	Design By: JLM
Sheet Title: CHS	Drawn By: JLM
Checked By: JLM	Project Manager: JLM
Scale: 1/4" = 1'-0"	Project Number: 1908-10

Sheet Name
MECHANICAL FLOOR PLANS

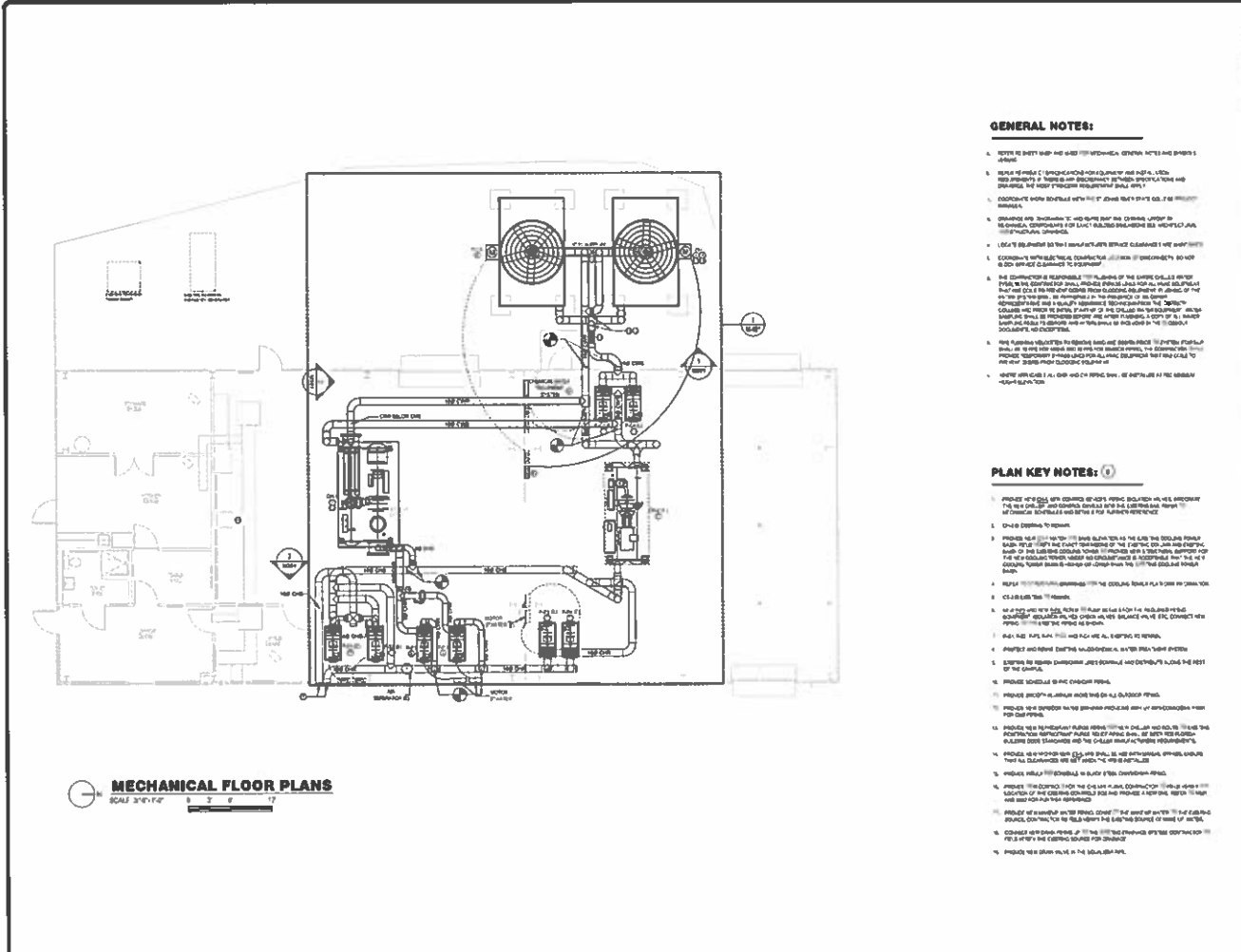
Sheet Number
M201

GENERAL NOTES:

- REFER TO SHEET M-200 AND M-201 FOR GENERAL NOTES AND SYMBOLS.
- REFER TO MECHANICAL SCHEDULES FOR EQUIPMENT AND MATERIALS. REFER TO ELECTRICAL SCHEDULES FOR ELECTRICAL EQUIPMENT AND MATERIALS. REFER TO PLUMBING SCHEDULES FOR PLUMBING EQUIPMENT AND MATERIALS.
- COORDINATE WITH ARCHITECTURE AND STRUCTURAL ENGINEER FOR ALL CONFLICTS.
- COORDINATE WITH ELECTRICAL ENGINEER FOR ALL CONFLICTS.
- COORDINATE WITH PLUMBING ENGINEER FOR ALL CONFLICTS.
- COORDINATE WITH MECHANICAL ENGINEER FOR ALL CONFLICTS.
- COORDINATE WITH CIVIL ENGINEER FOR ALL CONFLICTS.
- COORDINATE WITH LANDSCAPE ARCHITECT FOR ALL CONFLICTS.
- COORDINATE WITH TRAFFIC ENGINEER FOR ALL CONFLICTS.
- COORDINATE WITH ENVIRONMENTAL ENGINEER FOR ALL CONFLICTS.
- COORDINATE WITH HISTORIC PRESERVATION OFFICE FOR ALL CONFLICTS.
- COORDINATE WITH ALL OTHER AGENCIES FOR ALL CONFLICTS.

PLAN KEY NOTES:

- REMOVE EXISTING CHILLER AND CONDENSER UNITS AND RELOCATE TO NEW LOCATION. REFER TO MECHANICAL SCHEDULES FOR EQUIPMENT AND MATERIALS.
- REMOVE EXISTING CONDENSER UNITS AND RELOCATE TO NEW LOCATION. REFER TO MECHANICAL SCHEDULES FOR EQUIPMENT AND MATERIALS.
- REMOVE EXISTING CONDENSER UNITS AND RELOCATE TO NEW LOCATION. REFER TO MECHANICAL SCHEDULES FOR EQUIPMENT AND MATERIALS.
- REMOVE EXISTING CONDENSER UNITS AND RELOCATE TO NEW LOCATION. REFER TO MECHANICAL SCHEDULES FOR EQUIPMENT AND MATERIALS.
- REMOVE EXISTING CONDENSER UNITS AND RELOCATE TO NEW LOCATION. REFER TO MECHANICAL SCHEDULES FOR EQUIPMENT AND MATERIALS.
- REMOVE EXISTING CONDENSER UNITS AND RELOCATE TO NEW LOCATION. REFER TO MECHANICAL SCHEDULES FOR EQUIPMENT AND MATERIALS.
- REMOVE EXISTING CONDENSER UNITS AND RELOCATE TO NEW LOCATION. REFER TO MECHANICAL SCHEDULES FOR EQUIPMENT AND MATERIALS.
- REMOVE EXISTING CONDENSER UNITS AND RELOCATE TO NEW LOCATION. REFER TO MECHANICAL SCHEDULES FOR EQUIPMENT AND MATERIALS.
- REMOVE EXISTING CONDENSER UNITS AND RELOCATE TO NEW LOCATION. REFER TO MECHANICAL SCHEDULES FOR EQUIPMENT AND MATERIALS.
- REMOVE EXISTING CONDENSER UNITS AND RELOCATE TO NEW LOCATION. REFER TO MECHANICAL SCHEDULES FOR EQUIPMENT AND MATERIALS.
- REMOVE EXISTING CONDENSER UNITS AND RELOCATE TO NEW LOCATION. REFER TO MECHANICAL SCHEDULES FOR EQUIPMENT AND MATERIALS.
- REMOVE EXISTING CONDENSER UNITS AND RELOCATE TO NEW LOCATION. REFER TO MECHANICAL SCHEDULES FOR EQUIPMENT AND MATERIALS.
- REMOVE EXISTING CONDENSER UNITS AND RELOCATE TO NEW LOCATION. REFER TO MECHANICAL SCHEDULES FOR EQUIPMENT AND MATERIALS.
- REMOVE EXISTING CONDENSER UNITS AND RELOCATE TO NEW LOCATION. REFER TO MECHANICAL SCHEDULES FOR EQUIPMENT AND MATERIALS.
- REMOVE EXISTING CONDENSER UNITS AND RELOCATE TO NEW LOCATION. REFER TO MECHANICAL SCHEDULES FOR EQUIPMENT AND MATERIALS.





Date: 11-22-22 10:05 AM '23

No. Date Description

No.	Date	Description

Project Name
**CHILLER REPLACEMENT
PROJECT, ST AUGUSTINE
CAMPUS**

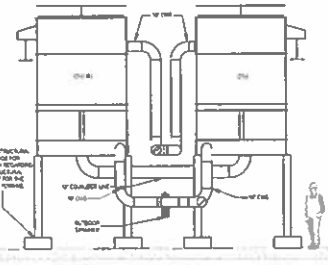
Drawing Date 11-22-22	Project Number 2202-01
Scale AS SHOWN	Sheet No. 01 of 01
Drawn By JHB	Checked By JHB
Project Name CHILLER REPLACEMENT PROJECT, ST AUGUSTINE CAMPUS	Project Location ST AUGUSTINE, FL

**MECHANICAL SECTION
VIEWS**

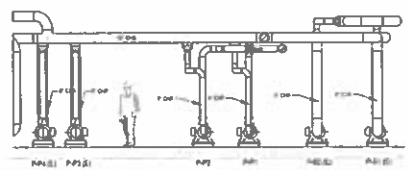
Sheet Number
M301

GENERAL NOTES:

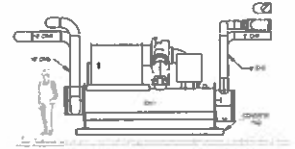
- REFER TO BEST MAP AND NOTES FOR MECHANICAL ROOMS, VENTS AND EXITS (SEE SHEET).
- VERIFY ALL DIMENSIONS ARE CORRECT AS SHOWN ON THIS DRAWING. ALL DIMENSIONS SHALL BE IN ACCORDANCE WITH THE 2024 MECHANICAL CODE, UNLESS OTHERWISE NOTED.
- COORDINATE WITH ELECTRICAL CONTRACTOR FOR ALL ELECTRICAL AND MECHANICAL WORK TO BE INSTALLED IN THIS PROJECT.
- VERIFY ALL DIMENSIONS ARE CORRECT AS SHOWN ON THIS DRAWING. ALL DIMENSIONS SHALL BE IN ACCORDANCE WITH THE 2024 MECHANICAL CODE, UNLESS OTHERWISE NOTED.
- VERIFY ALL DIMENSIONS ARE CORRECT AS SHOWN ON THIS DRAWING. ALL DIMENSIONS SHALL BE IN ACCORDANCE WITH THE 2024 MECHANICAL CODE, UNLESS OTHERWISE NOTED.
- VERIFY ALL DIMENSIONS ARE CORRECT AS SHOWN ON THIS DRAWING. ALL DIMENSIONS SHALL BE IN ACCORDANCE WITH THE 2024 MECHANICAL CODE, UNLESS OTHERWISE NOTED.
- VERIFY ALL DIMENSIONS ARE CORRECT AS SHOWN ON THIS DRAWING. ALL DIMENSIONS SHALL BE IN ACCORDANCE WITH THE 2024 MECHANICAL CODE, UNLESS OTHERWISE NOTED.



1 COOLING TOWERS SECTION VIEW
SCALE 1/4" = 1'-0"

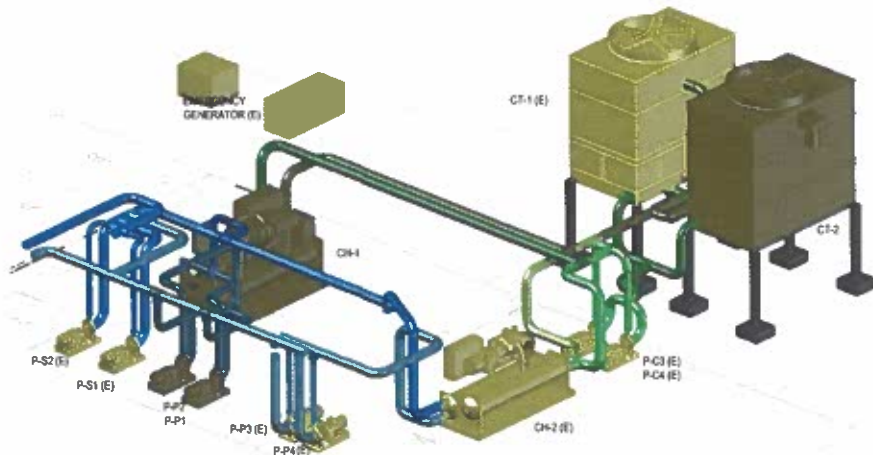


2 PUMPS SECTION VIEW
SCALE 1/4" = 1'-0"



3 CHILLER SECTION VIEW
SCALE 1/4" = 1'-0"

DATE: 11/22/22 BY: JHB CHECKED: JHB PLOT DATE: 11/22/22 PLOT BY: JHB



1 MECHANICAL ISOMETRIC VIEW
SCALE 1/4"=1'-0"

GENERAL NOTES:

- 1. CONTRACTOR SHALL BE RESPONSIBLE FOR OBTAINING ALL PERMITS AND LICENSES REQUIRED FOR THIS PROJECT.
- 2. ALL WORK SHALL BE PERFORMED IN ACCORDANCE WITH THE LATEST EDITIONS OF THE ASME BOILER AND PRESSURE VESSEL CODE AND THE ASME PIPING CODE.
- 3. CONTRACTOR SHALL BE RESPONSIBLE FOR OBTAINING ALL NECESSARY PERMITS AND LICENSES FOR THIS PROJECT.
- 4. CONTRACTOR SHALL BE RESPONSIBLE FOR OBTAINING ALL NECESSARY PERMITS AND LICENSES FOR THIS PROJECT.
- 5. CONTRACTOR SHALL BE RESPONSIBLE FOR OBTAINING ALL NECESSARY PERMITS AND LICENSES FOR THIS PROJECT.
- 6. CONTRACTOR SHALL BE RESPONSIBLE FOR OBTAINING ALL NECESSARY PERMITS AND LICENSES FOR THIS PROJECT.
- 7. CONTRACTOR SHALL BE RESPONSIBLE FOR OBTAINING ALL NECESSARY PERMITS AND LICENSES FOR THIS PROJECT.
- 8. CONTRACTOR SHALL BE RESPONSIBLE FOR OBTAINING ALL NECESSARY PERMITS AND LICENSES FOR THIS PROJECT.
- 9. CONTRACTOR SHALL BE RESPONSIBLE FOR OBTAINING ALL NECESSARY PERMITS AND LICENSES FOR THIS PROJECT.
- 10. CONTRACTOR SHALL BE RESPONSIBLE FOR OBTAINING ALL NECESSARY PERMITS AND LICENSES FOR THIS PROJECT.

SGM ENGINEERING
 10000...
 ORANGE PARK, FL 32065
 (407) 885-4444

ST. JOHNS RIVER STATE COLLEGE
 ORANGE PARK, FL 32065

Rev	Date	Description

CHILLER REPLACEMENT PROJECT, ST AUGUSTINE CAMPUS

Project Name: CHILLER REPLACEMENT PROJECT, ST AUGUSTINE CAMPUS

Project Number: 2011-124

Scale: 1/4"=1'-0"

Drawn By: JSC

Checked By: JSC

Date: 11-22-11

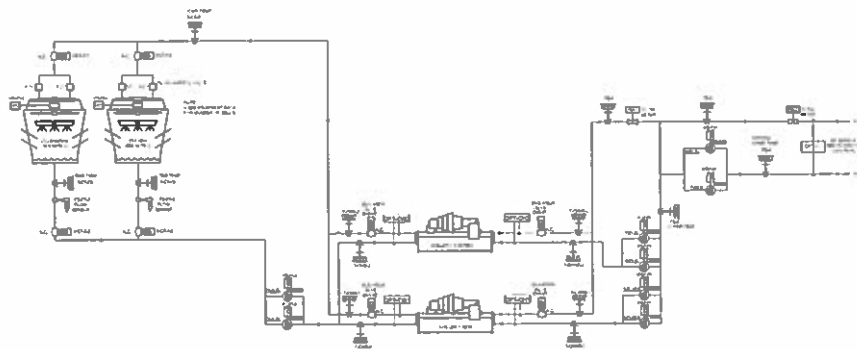
Proj. No: 11-22-11

MECHANICAL ISOMETRIC VIEW

Sheet Number: M401

SGM
ENGINEERING
 100 East Michigan Ave.
 Gainesville, FL 32608
 Tel: 352-339-0900
 Fax: 352-339-0909
 6885-24012-234

WATER COOLED CHILLER WITH PRIMARY SECONDARY PUMPING CONTROL DIAGRAM



WATER COOLED CHILLER (P&ID, PRIMARY) CONTROL POINT LIST

POINT NAME	TYPE	INSTRUMENT SYMBOL	CONTROL FUNCTION	LOCATION
CH-1	CHILLER	CH-1	CHILLER 1	CHILLER 1
CH-2	CHILLER	CH-2	CHILLER 2	CHILLER 2
P-1	PUMP	P-1	PRIMARY PUMP 1	PRIMARY LOOP
P-2	PUMP	P-2	PRIMARY PUMP 2	PRIMARY LOOP
S-1	SENSOR	ST-1	CHILLER 1 SUCT. TEMP.	CHILLER 1
S-2	SENSOR	ST-2	CHILLER 1 COND. TEMP.	CHILLER 1
S-3	SENSOR	ST-3	CHILLER 2 SUCT. TEMP.	CHILLER 2
S-4	SENSOR	ST-4	CHILLER 2 COND. TEMP.	CHILLER 2
S-5	SENSOR	ST-5	CHILLER 1 OIL TEMP.	CHILLER 1
S-6	SENSOR	ST-6	CHILLER 2 OIL TEMP.	CHILLER 2
S-7	SENSOR	ST-7	CONDENSER SUCT. TEMP.	CONDENSER
S-8	SENSOR	ST-8	CONDENSER COND. TEMP.	CONDENSER
S-9	SENSOR	ST-9	CONDENSER OIL TEMP.	CONDENSER
S-10	SENSOR	ST-10	EVAPORATOR SUCT. TEMP.	EVAPORATOR
S-11	SENSOR	ST-11	EVAPORATOR COND. TEMP.	EVAPORATOR
S-12	SENSOR	ST-12	EVAPORATOR OIL TEMP.	EVAPORATOR
S-13	SENSOR	ST-13	CONDENSER INLET TEMP.	CONDENSER
S-14	SENSOR	ST-14	CONDENSER OUTLET TEMP.	CONDENSER
S-15	SENSOR	ST-15	EVAPORATOR INLET TEMP.	EVAPORATOR
S-16	SENSOR	ST-16	EVAPORATOR OUTLET TEMP.	EVAPORATOR
S-17	SENSOR	ST-17	EVAPORATOR SUCT. PRESS.	EVAPORATOR
S-18	SENSOR	ST-18	EVAPORATOR COND. PRESS.	EVAPORATOR
S-19	SENSOR	ST-19	CONDENSER SUCT. PRESS.	CONDENSER
S-20	SENSOR	ST-20	CONDENSER COND. PRESS.	CONDENSER
S-21	SENSOR	ST-21	CONDENSER OIL PRESS.	CONDENSER
S-22	SENSOR	ST-22	EVAPORATOR OIL PRESS.	EVAPORATOR
S-23	SENSOR	ST-23	CONDENSER INLET PRESS.	CONDENSER
S-24	SENSOR	ST-24	CONDENSER OUTLET PRESS.	CONDENSER
S-25	SENSOR	ST-25	EVAPORATOR INLET PRESS.	EVAPORATOR
S-26	SENSOR	ST-26	EVAPORATOR OUTLET PRESS.	EVAPORATOR
S-27	SENSOR	ST-27	EVAPORATOR SUCT. FLUX	EVAPORATOR
S-28	SENSOR	ST-28	EVAPORATOR COND. FLUX	EVAPORATOR
S-29	SENSOR	ST-29	CONDENSER SUCT. FLUX	CONDENSER
S-30	SENSOR	ST-30	CONDENSER COND. FLUX	CONDENSER
S-31	SENSOR	ST-31	CONDENSER OIL FLUX	CONDENSER
S-32	SENSOR	ST-32	EVAPORATOR OIL FLUX	EVAPORATOR
S-33	SENSOR	ST-33	CONDENSER INLET FLUX	CONDENSER
S-34	SENSOR	ST-34	CONDENSER OUTLET FLUX	CONDENSER
S-35	SENSOR	ST-35	EVAPORATOR INLET FLUX	EVAPORATOR
S-36	SENSOR	ST-36	EVAPORATOR OUTLET FLUX	EVAPORATOR
S-37	SENSOR	ST-37	EVAPORATOR SUCT. VIB.	EVAPORATOR
S-38	SENSOR	ST-38	EVAPORATOR COND. VIB.	EVAPORATOR
S-39	SENSOR	ST-39	CONDENSER SUCT. VIB.	CONDENSER
S-40	SENSOR	ST-40	CONDENSER COND. VIB.	CONDENSER
S-41	SENSOR	ST-41	CONDENSER OIL VIB.	CONDENSER
S-42	SENSOR	ST-42	EVAPORATOR OIL VIB.	EVAPORATOR
S-43	SENSOR	ST-43	CONDENSER INLET VIB.	CONDENSER
S-44	SENSOR	ST-44	CONDENSER OUTLET VIB.	CONDENSER
S-45	SENSOR	ST-45	EVAPORATOR INLET VIB.	EVAPORATOR
S-46	SENSOR	ST-46	EVAPORATOR OUTLET VIB.	EVAPORATOR
S-47	SENSOR	ST-47	EVAPORATOR SUCT. VIB.	EVAPORATOR
S-48	SENSOR	ST-48	EVAPORATOR COND. VIB.	EVAPORATOR
S-49	SENSOR	ST-49	CONDENSER SUCT. VIB.	CONDENSER
S-50	SENSOR	ST-50	CONDENSER COND. VIB.	CONDENSER

Client Name:
ST. JOHNS RIVER STATE COLLEGE
 ORANGE PARK, FL 32085



Rev: 01.12.21 REV. 008

No.	Date	Description

Project Name:
CHILLER REPLACEMENT PROJECT, ST AUGUSTINE CAMPUS

Printing: Joe Adams
 12/22/2021 10:04:24 AM
 Plot: 12/22/21 10:04:24 AM
 Plot: 12/22/21 10:04:24 AM

Mechanical Control Drawings

M601

ALL DIMENSIONS SHOWN ON THIS DRAWING ARE UNLESS OTHERWISE NOTED. SEE MECHANICAL CONTROL DRAWING M601 FOR ALL DIMENSIONS.

**SGM
ENGINEERING**

13501 W. UNIVERSITY BLVD.
SUITE 100
MIRAGE, FL 32127
407-947-2200
WWW.SGM-ENG.COM

Client Name:

**ST. JOHNS RIVER STATE
COLLEGE
ORANGE PARK, FL 32065**



Issue: 11-22-13 1005 CP'S

Rev.	Date	Description

No. _____ Date _____ Description _____

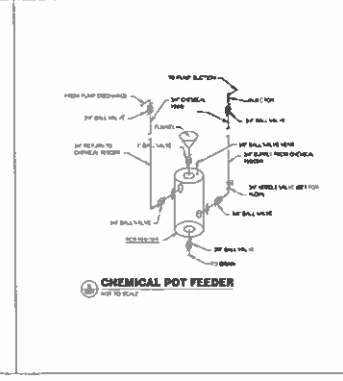
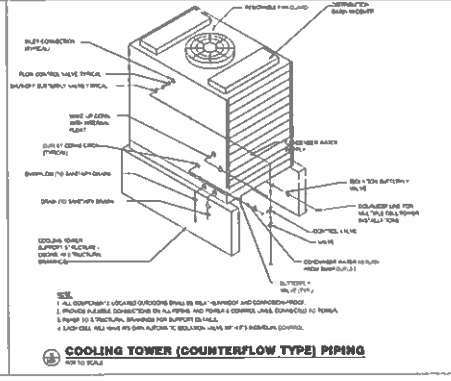
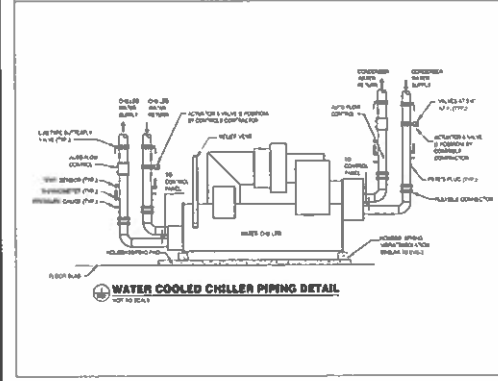
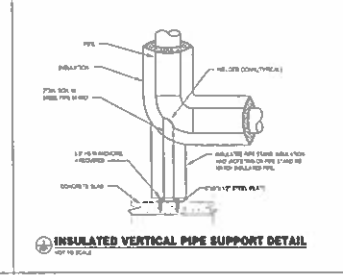
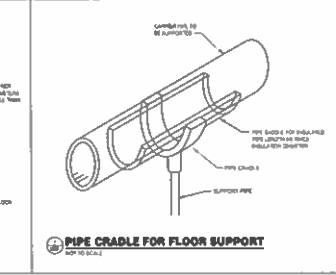
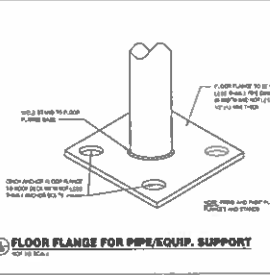
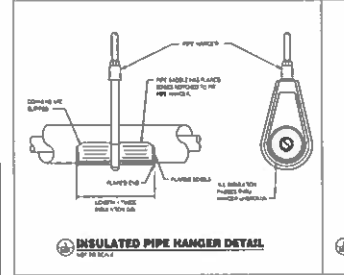
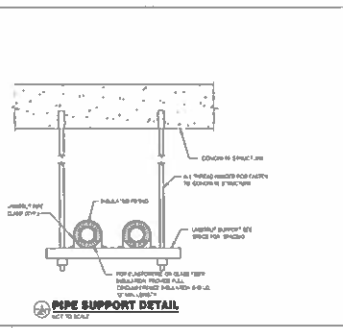
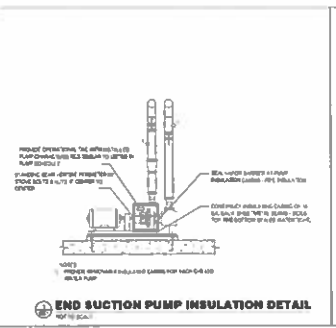
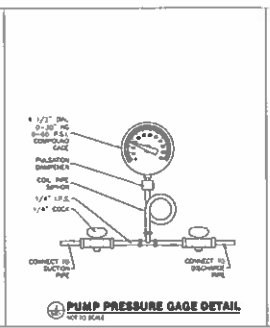
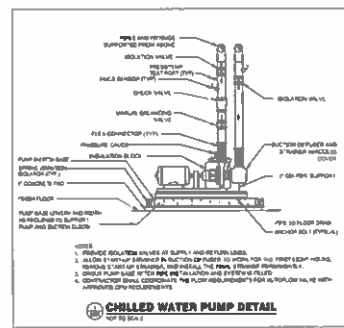
Rev.	Date	Description

**CHILLER REPLACEMENT
PROJECT, ST. AUGUSTINE
CAMPUS**

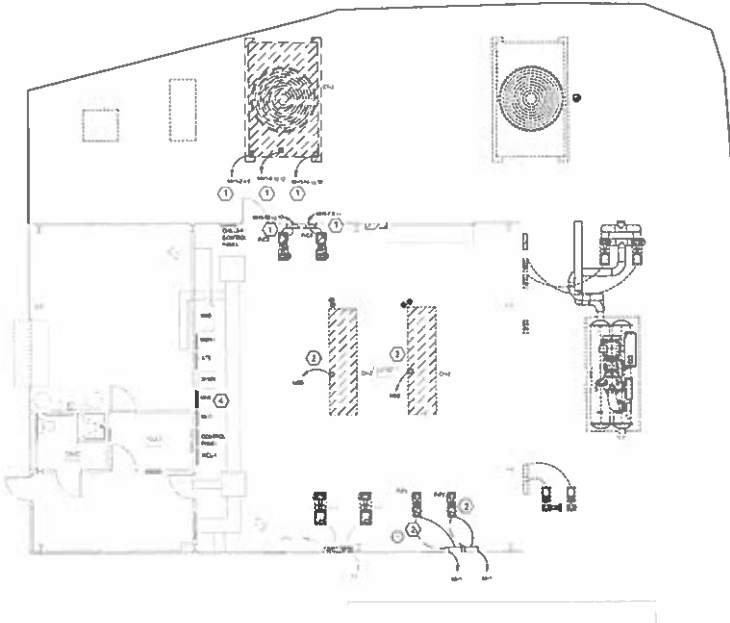
Project Number: 2013-04

DESIGNED BY: SGM	CHECKED BY: SGM
DRAWN BY: SGM	CHECKED BY: SGM
PROJECT MANAGER: SGM	CHECKED BY: SGM
DATE: 11-22-13	SCALE: AS SHOWN

MECHANICAL DETAILS



ALL DIMENSIONS UNLESS OTHERWISE SPECIFIED ARE IN INCHES AND DECIMALS THEREOF.
 UNLESS OTHERWISE SPECIFIED, DIMENSIONS SHALL BE TO FACE.
 DIMENSIONS SHALL BE TO FACE UNLESS OTHERWISE SPECIFIED.



ELECTRICAL DEMOLITION POWER PLANS



GENERAL NOTES:

- 1. REFER TO PROJECT LOGS ON SHEET 010.
- 2. REFER TO BIDDING SPECIFICATIONS.
- 3. VERIFY ALL EQUIPMENT CODES AND COMPLIANCE WITH ALL REQUIREMENTS OF CODES AND STANDARDS.
- 4. ALL WIRING SHALL BE TO MATCH EXISTING WITH THE EXCEPT WHERE SHOWN OTHERWISE.
- 5. CONTRACTOR TO VERIFY ALL EXISTING AND PROPOSED WIRING IS CORRECTLY INSTALLED AND TO BE DEMOLISHED. CONTRACTOR SHALL BE RESPONSIBLE FOR VERIFYING THE LOCATION AND DEPTH OF ALL WIRING. CONTRACTOR SHALL BE RESPONSIBLE FOR VERIFYING THE LOCATION AND DEPTH OF ALL WIRING. CONTRACTOR SHALL BE RESPONSIBLE FOR VERIFYING THE LOCATION AND DEPTH OF ALL WIRING.
- 6. CONTRACTOR TO VERIFY ALL EXISTING AND PROPOSED WIRING IS CORRECTLY INSTALLED AND TO BE DEMOLISHED. CONTRACTOR SHALL BE RESPONSIBLE FOR VERIFYING THE LOCATION AND DEPTH OF ALL WIRING. CONTRACTOR SHALL BE RESPONSIBLE FOR VERIFYING THE LOCATION AND DEPTH OF ALL WIRING.

PLAN KEY NOTES:

- 1. CONTRACTOR TO VERIFY ALL EXISTING AND PROPOSED WIRING IS CORRECTLY INSTALLED AND TO BE DEMOLISHED. CONTRACTOR SHALL BE RESPONSIBLE FOR VERIFYING THE LOCATION AND DEPTH OF ALL WIRING.
- 2. CONTRACTOR TO VERIFY ALL EXISTING AND PROPOSED WIRING IS CORRECTLY INSTALLED AND TO BE DEMOLISHED. CONTRACTOR SHALL BE RESPONSIBLE FOR VERIFYING THE LOCATION AND DEPTH OF ALL WIRING.
- 3. CONTRACTOR TO VERIFY ALL EXISTING AND PROPOSED WIRING IS CORRECTLY INSTALLED AND TO BE DEMOLISHED. CONTRACTOR SHALL BE RESPONSIBLE FOR VERIFYING THE LOCATION AND DEPTH OF ALL WIRING.
- 4. CONTRACTOR TO VERIFY ALL EXISTING AND PROPOSED WIRING IS CORRECTLY INSTALLED AND TO BE DEMOLISHED. CONTRACTOR SHALL BE RESPONSIBLE FOR VERIFYING THE LOCATION AND DEPTH OF ALL WIRING.

SGM
ENGINEERING
CORPORATION
4000 S.W. 11th Street
Fort Lauderdale, FL 33309
(954) 339-0000
www.sgmeng.com

ST. JOHNS RIVER STATE
COLLEGE
ORANGE PARK, FL 32068



Date: 11-22-22 1000 CE'S

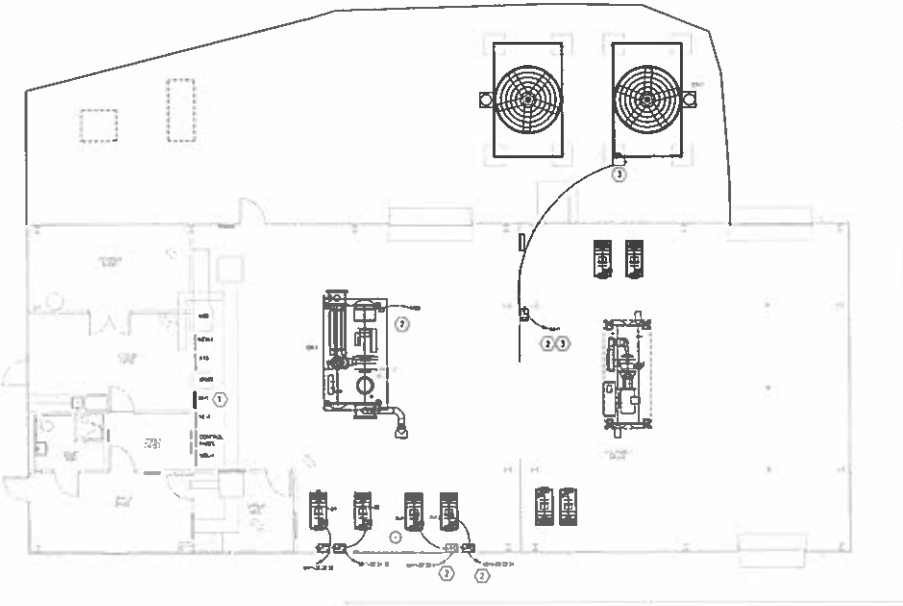
No.	Day	Description

CHILLER REPLACEMENT PROJECT, ST AUGUSTINE CAMPUS

	Project Number: 2203-24 Date: 11/22/22 Drawn By: JH Checked By: JH Designer of Record: JAMES W. HESTER License Number: 90700
--	---

Project Name: ELECTRICAL DEMOLITION POWER PLANS

Sheet Number: ED301



ELECTRICAL POWER PLANS
SCALE: 1/8" = 1'-0"

GENERAL NOTES

- REFER TO PROJECT SPECIFICATIONS AND SCHEDULE FOR ALL ELECTRICAL CODES AND STANDARDS.
- REFER TO ALL SUPPLIER CATALOGS.
- VERIFY ALL EQUIPMENT DIMENSIONS AND WEIGHTS ARE CORRECT. VERIFY ALL CONNECTIONS ARE MADE TO THE CORRECT TERMINALS AND WIRING METHODS ARE USED. VERIFY ALL WIRING IS MADE TO THE CORRECT TERMINALS AND WIRING METHODS ARE USED.
- VERIFY THE LOCATION AND ALL TYPE OF EQUIPMENT IS AS SHOWN ON THIS DRAWING. VERIFY THE LOCATION AND ALL TYPE OF EQUIPMENT IS AS SHOWN ON THIS DRAWING. VERIFY THE LOCATION AND ALL TYPE OF EQUIPMENT IS AS SHOWN ON THIS DRAWING.
- CONTRACTOR IS RESPONSIBLE FOR OBTAINING ALL NECESSARY PERMITS AND APPROVALS FROM THE LOCAL AUTHORITIES. THE CONTRACTOR SHALL BE RESPONSIBLE FOR OBTAINING ALL NECESSARY PERMITS AND APPROVALS FROM THE LOCAL AUTHORITIES. THE CONTRACTOR SHALL BE RESPONSIBLE FOR OBTAINING ALL NECESSARY PERMITS AND APPROVALS FROM THE LOCAL AUTHORITIES.
- CONTRACTOR SHALL VERIFY ALL ELECTRICAL WORK IS MADE TO THE CORRECT TERMINALS AND WIRING METHODS ARE USED. VERIFY ALL WIRING IS MADE TO THE CORRECT TERMINALS AND WIRING METHODS ARE USED.
- CONTRACTOR SHALL VERIFY ALL ELECTRICAL WORK IS MADE TO THE CORRECT TERMINALS AND WIRING METHODS ARE USED. VERIFY ALL WIRING IS MADE TO THE CORRECT TERMINALS AND WIRING METHODS ARE USED.

PLAN KEY NOTES:

- CONTRACTOR TO VERIFY ALL ELECTRICAL WORK IS MADE TO THE CORRECT TERMINALS AND WIRING METHODS ARE USED.
- CONTRACTOR TO VERIFY ALL ELECTRICAL WORK IS MADE TO THE CORRECT TERMINALS AND WIRING METHODS ARE USED.
- CONTRACTOR TO VERIFY ALL ELECTRICAL WORK IS MADE TO THE CORRECT TERMINALS AND WIRING METHODS ARE USED.

SGM ENGINEERING
1515 E. UNIVERSITY AVENUE
SUITE 200
ORANGE PARK, FL 32067
(904) 266-1334

Client Name
**ST. JOHNS RIVER STATE COLLEGE
ORANGE PARK, FL 32068**



ST. JOHNS RIVER STATE COLLEGE

No.	Date	Description

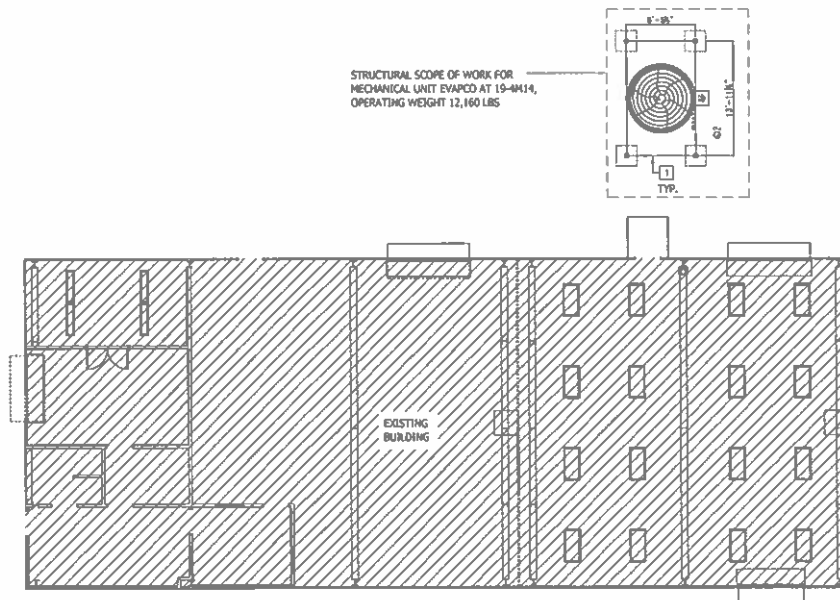
Project Name
CHILLER REPLACEMENT PROJECT, ST AUGUSTINE CAMPUS

Drawing File Name 1515 E UNIVERSITY AVENUE SUITE 200 ORANGE PARK, FL 32067	Project Number 2024-001
Drawn By J. Smith	Checked By K. Jones
Date 11/22/23	Scale AS SHOWN
Project Manager M. Brown	Author of Project L. White

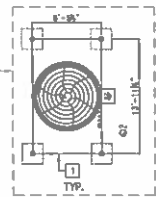
Project Name
ELECTRICAL POWER PLANS

Project Number
E301

NO. 1515 E UNIVERSITY AVENUE SUITE 200 ORANGE PARK, FL 32067



STRUCTURAL SCOPE OF WORK FOR
MECHANICAL UNIT EVAPED AT 19-4414,
OPERATING WEIGHT 12,160 LBS



GROUND FLOOR PLAN

T.O.FINISHED FLOOR = +0'-0"
T.O.FOUNDATION = -1'-0"

1/8" = 1'-0"



PLAN NOTES:

- 1 FOR FOUNDATION AND COLUMN DETAILS, REFER TO DETAIL 129-300
- 2 ALL EXPOSED STEEL TO BE HOT DIPPED GALVANIZED.

SGM ENGINEERING
100 East Orange Avenue
 Orlando, FL 32814
 Tel: 407-841-1111
 Fax: 407-841-1112

<p>CRG</p> <p>BID SET</p> <p>ST. JOHNS RIVER STATE COLLEGE COOLING TOWER REPLACEMENT OPC ORANGE PARK, FL 32065</p>	<p>DATE: 10/11/11 TIME: 10:00 AM PLACE: ST. JOHNS RIVER STATE COLLEGE 100 EAST ORANGE AVENUE ORLANDO, FL 32814 TEL: 407-841-1111 FAX: 407-841-1112</p>
<p>ST. JOHNS RIVER STATE COLLEGE COOLING TOWER REPLACEMENT OPC ORANGE PARK, FL 32065</p>	<p>DATE: 10/11/11 TIME: 10:00 AM PLACE: ST. JOHNS RIVER STATE COLLEGE 100 EAST ORANGE AVENUE ORLANDO, FL 32814 TEL: 407-841-1111 FAX: 407-841-1112</p>

NOTE: DRAWING IS HALF SCALE

